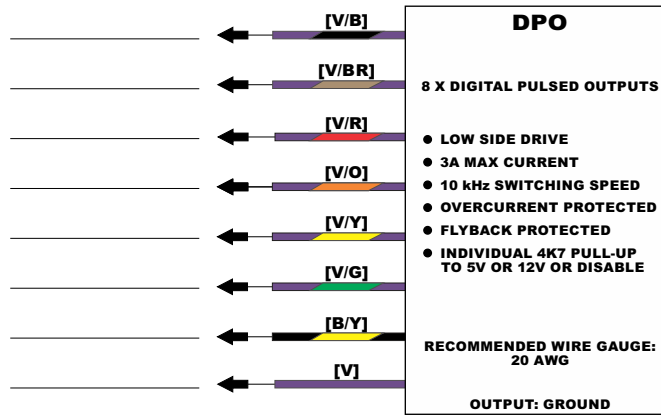
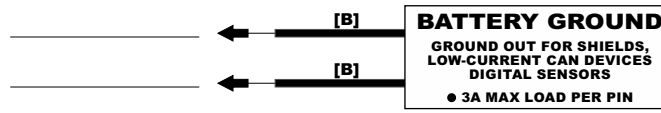
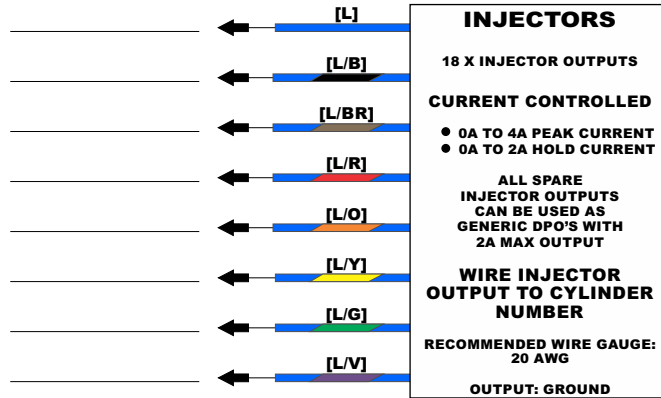
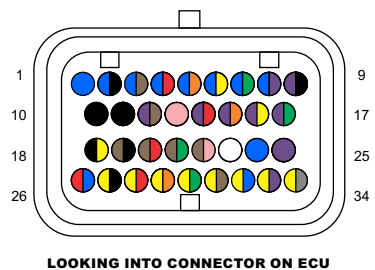


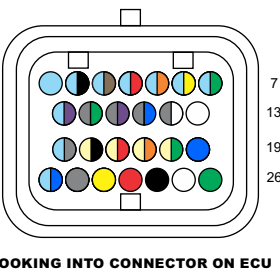
NOTES



CONNECTOR A
34 PIN KEYWAY 1

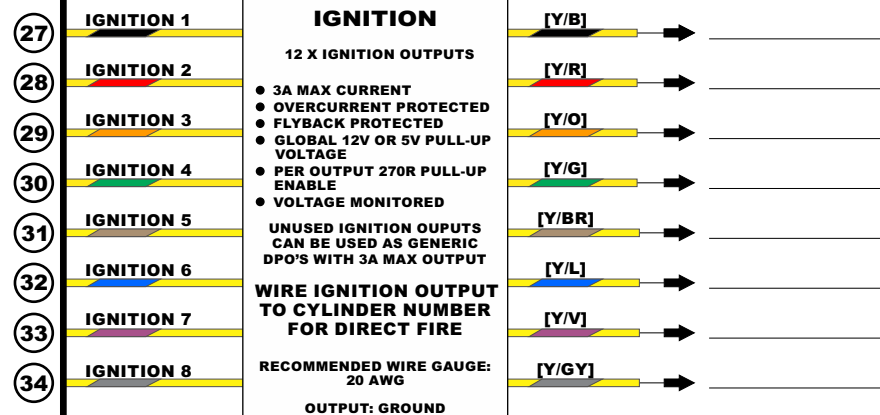
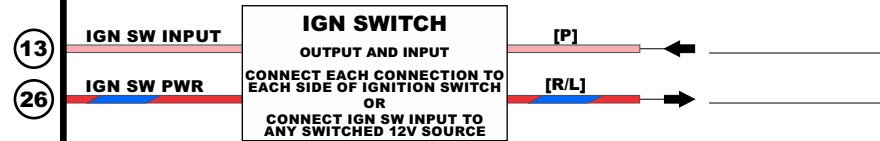
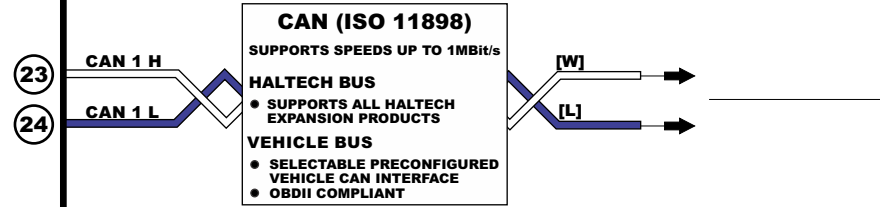
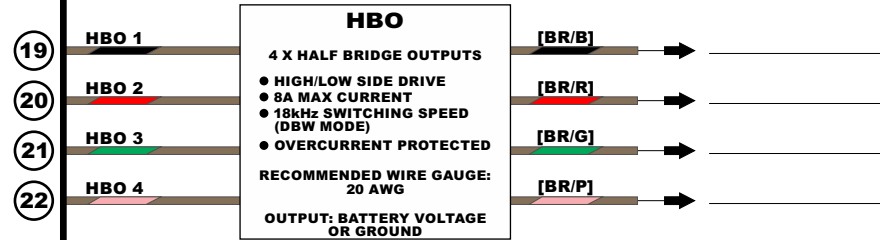


CONNECTOR B
26 PIN KEYWAY 1

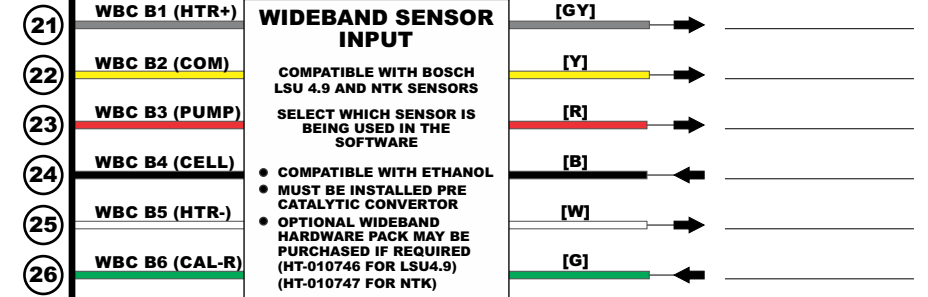
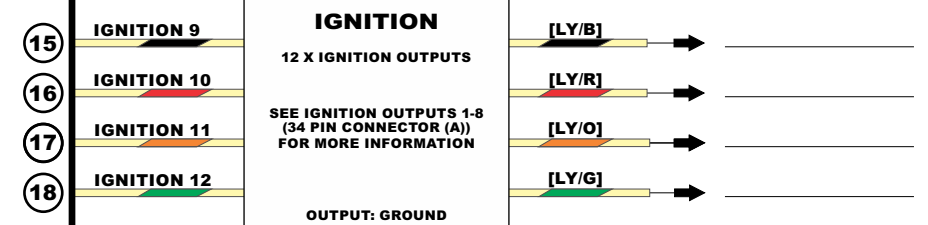
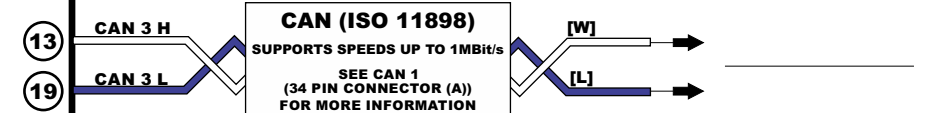
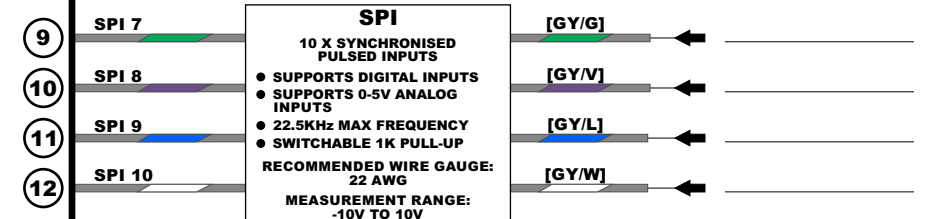
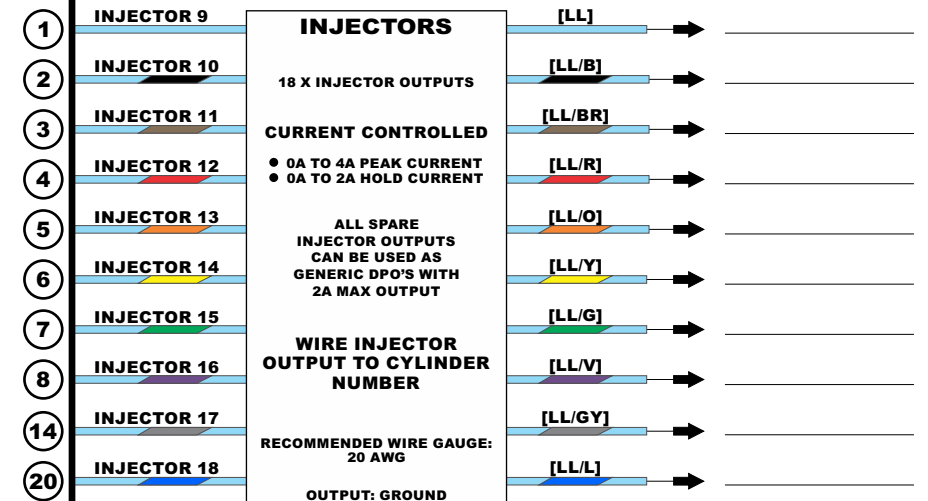


SEE QSG FOR WIRING APPLICATION EXAMPLES

NOTES

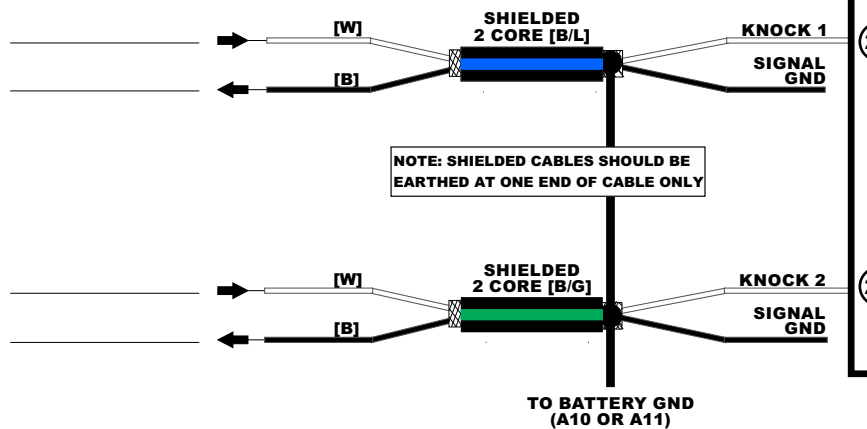
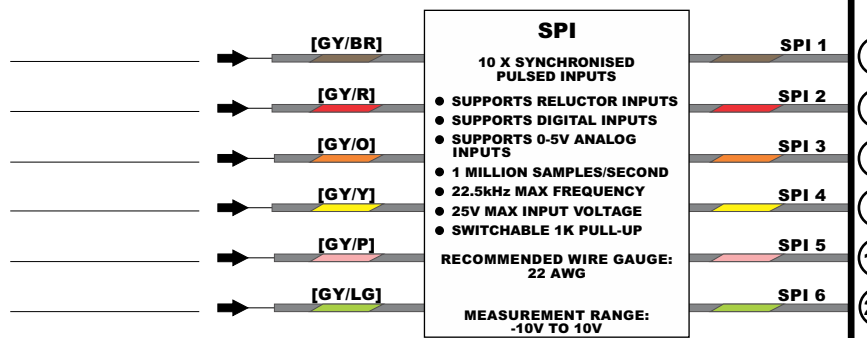
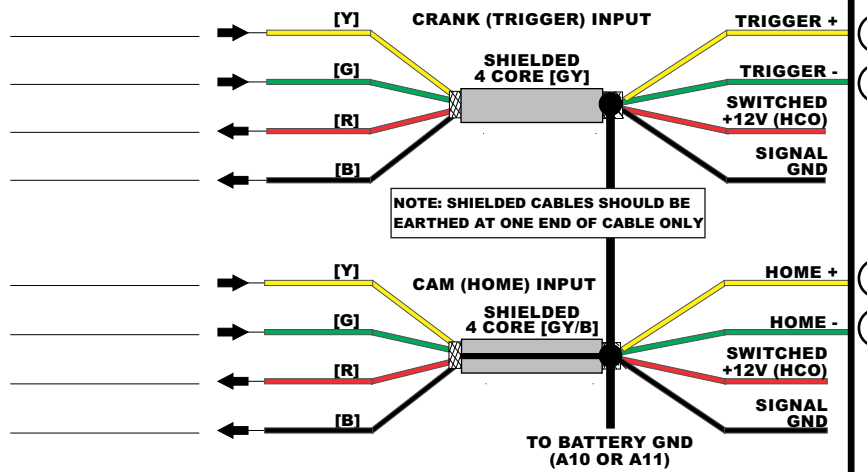


NOTES

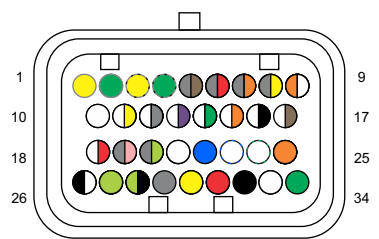


LEGEND - WIRE COLOUR
B = BLACK BR = BROWN G = GREEN GY = GREY L = BLUE
LL = LIGHT BLUE LG = LIGHT GREEN LY = LIGHT YELLOW O = ORANGE
P = PINK R = RED V = VIOLET Y = YELLOW W = WHITE
WHEN TWO COLOURS ARE USED IN A WIRE BY THE ALPHABETICAL CODE, THE FIRST LETTER INDICATES THE BASIC WIRE COLOUR, THE SECOND COLOUR INDICATES THE COLOUR OF THE STRIPE.

NOTES

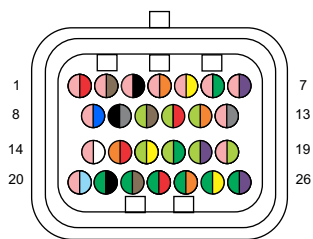


CONNECTOR C
34 PIN KEYWAY 2



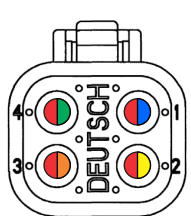
LOOKING INTO CONNECTOR ON ECU

CONNECTOR D
26 PIN KEYWAY 3



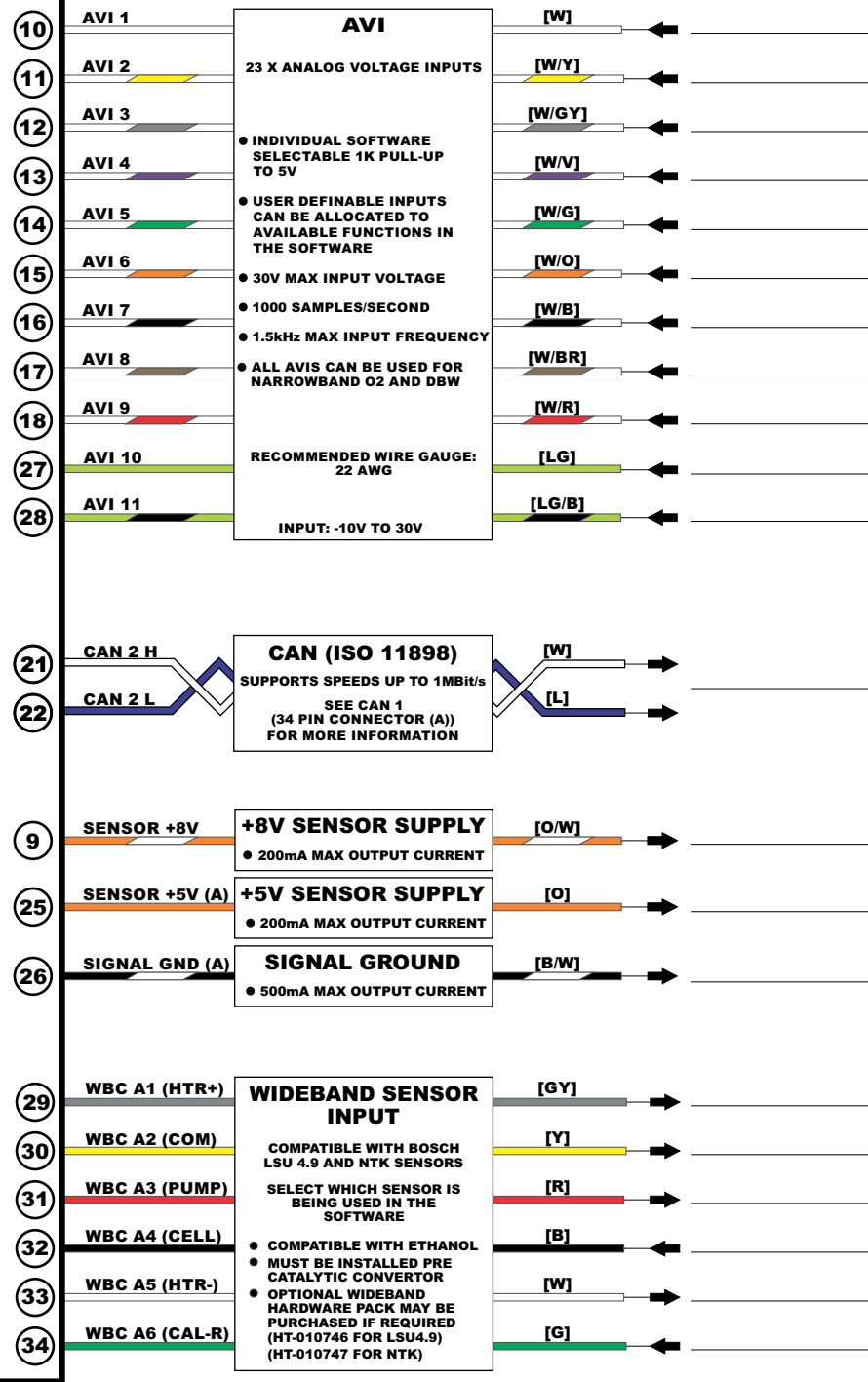
LOOKING INTO CONNECTOR ON ECU

CONNECTOR E
4 PIN DTP



LOOKING INTO PLUG (WIRE SIDE)

34 PIN CONNECTOR (C)

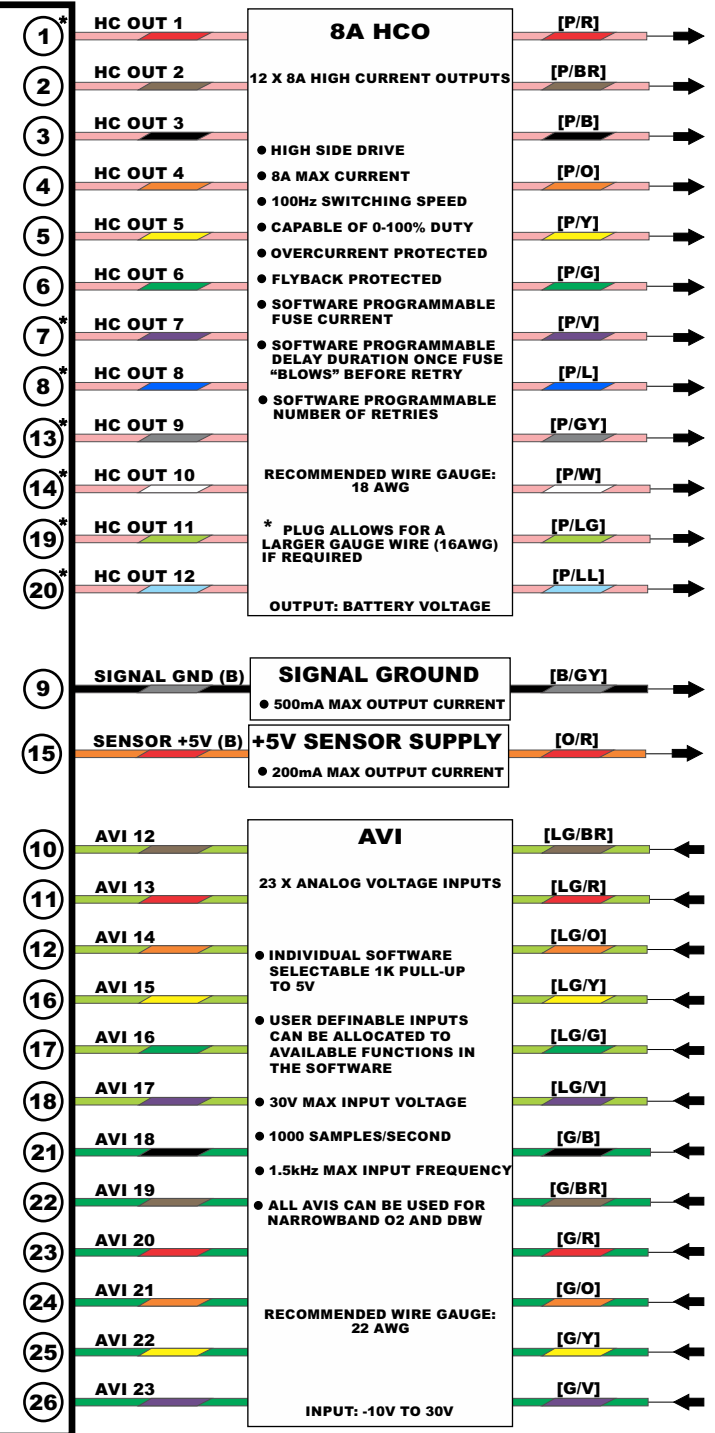


NOTES

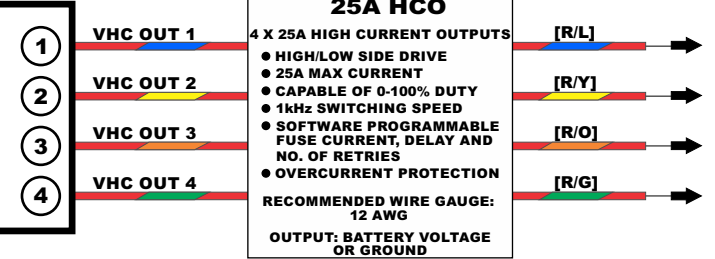
SEE QSG FOR WIRING APPLICATION EXAMPLES

LEGEND - WIRE COLOUR
 B = BLACK BR = BROWN G = GREEN GY = GREY L = BLUE
 LL = LIGHT BLUE LG = LIGHT GREEN LY = LIGHT YELLOW O = ORANGE
 P = PINK R = RED V = VIOLET Y = YELLOW W = WHITE
 WHEN TWO COLOURS ARE USED IN A WIRE BY THE ALPHABETICAL CODE,
 THE FIRST LETTER INDICATES THE BASIC WIRE COLOUR,
 THE SECOND COLOUR INDICATES THE COLOUR OF THE STRIPE.

26 PIN CONNECTOR (D)



4 PIN (E) CONNECTOR



8A HCO
 12 X 8A HIGH CURRENT OUTPUTS
 • HIGH SIDE DRIVE
 • 8A MAX CURRENT
 • 100Hz SWITCHING SPEED
 • CAPABLE OF 0-100% DUTY
 • OVERCURRENT PROTECTED
 • FLYBACK PROTECTED
 • SOFTWARE PROGRAMMABLE FUSE CURRENT
 • SOFTWARE PROGRAMMABLE DELAY DURATION ONCE FUSE "BLOWS" BEFORE RETRY
 • SOFTWARE PROGRAMMABLE NUMBER OF RETRIES
 RECOMMENDED WIRE GAUGE: 18 AWG
 * PLUG ALLOWS FOR A LARGER GAUGE WIRE (16AWG) IF REQUIRED
 OUTPUT: BATTERY VOLTAGE

SIGNAL GROUND
 • 500mA MAX OUTPUT CURRENT

+5V SENSOR SUPPLY
 • 200mA MAX OUTPUT CURRENT

AVI
 23 X ANALOG VOLTAGE INPUTS
 • INDIVIDUAL SOFTWARE SELECTABLE 1K PULL-UP TO 5V
 • USER DEFINABLE INPUTS CAN BE ALLOCATED TO AVAILABLE FUNCTIONS IN THE SOFTWARE
 • 30V MAX INPUT VOLTAGE
 • 1000 SAMPLES/SECOND
 • 1.5kHz MAX INPUT FREQUENCY
 • ALL AVIS CAN BE USED FOR NARROWBAND O2 AND DBW
 RECOMMENDED WIRE GAUGE: 22 AWG
 INPUT: -10V TO 30V

25A HCO
 4 X 25A HIGH CURRENT OUTPUTS
 • HIGH/LOW SIDE DRIVE
 • 25A MAX CURRENT
 • CAPABLE OF 0-100% DUTY
 • 1kHz SWITCHING SPEED
 • SOFTWARE PROGRAMMABLE FUSE CURRENT, DELAY AND NO. OF RETRIES
 • OVERCURRENT PROTECTION
 RECOMMENDED WIRE GAUGE: 12 AWG
 OUTPUT: BATTERY VOLTAGE OR GROUND