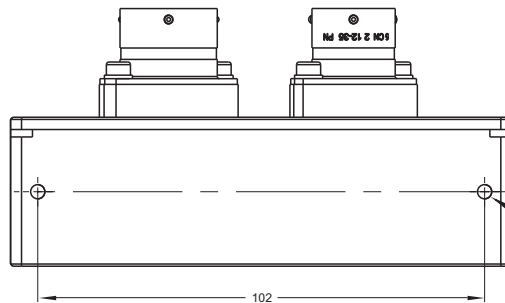
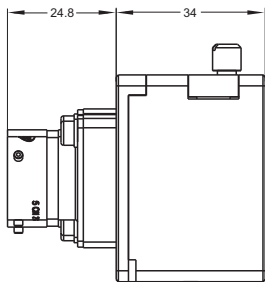


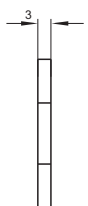
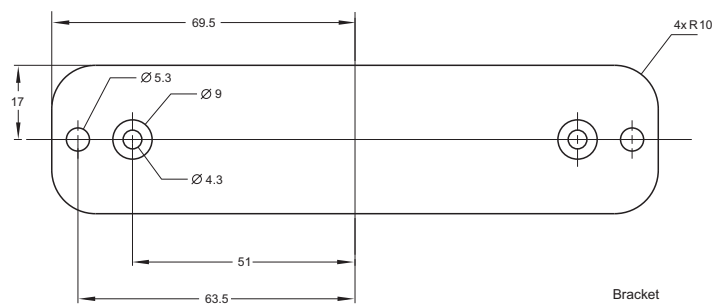
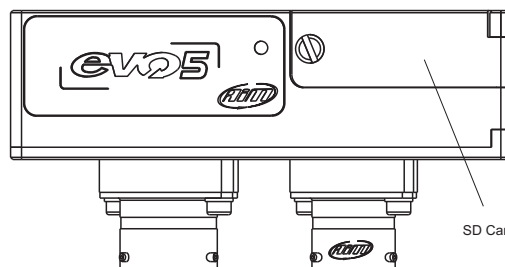
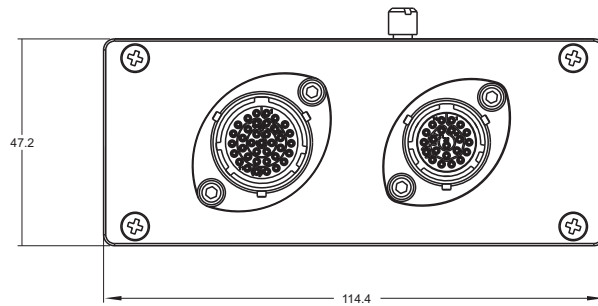


AiM EVO5

Logger



N.2 fixing points
M4x6mm



Bracket



AiM EVO5

Logger

Technical specifications

ECU connection	CAN, RS232 or K-Line to 1,000+ industry leading ECUs
External modules	GPS module, Channel expansion, TC Hub, Lambda controller, SmartyCam HD
Analog inputs	8 fully configurable: 0-5V, 0-12V, K thermocouples. Max freq 1 KHz each
Digital inputs	Coil RPM and 4 speed inputs
Inertial platform	Internal 3 axis $\pm 5G$ accelerometer + 3 axis gyro
Digital outputs	2, up to 1 Amp each
Second CAN	Yes
WiFi connection	Yes
Internal memory	4 GB
SD card	Internal: up to 128 Gb
Connectors	2 Motorsport connectors
Body	Anodized Aluminum
LEDs	1 system status
Dimensions	114.4 x 47.2 x 58.8 mm
Weight	300 g
Waterproof	IP65

In the box

EVO5, SD card, 37 pin harness, USB cable, GPS08 Module, bracket, Race Studio 3 software CD

X62E5GPS130	EVO5 with GPS08 Module with 1.30 m cable length
X62E5GPS400	EVO5 with GPS08 Module with 4 m cable length
X62EGPS2RF	EVO5 with GPS08 Module Roof version 2 m lenght cable
X62EGPS4RF	EVO5 with GPS08 Module Roof version 4 m lenght cable

Accessories

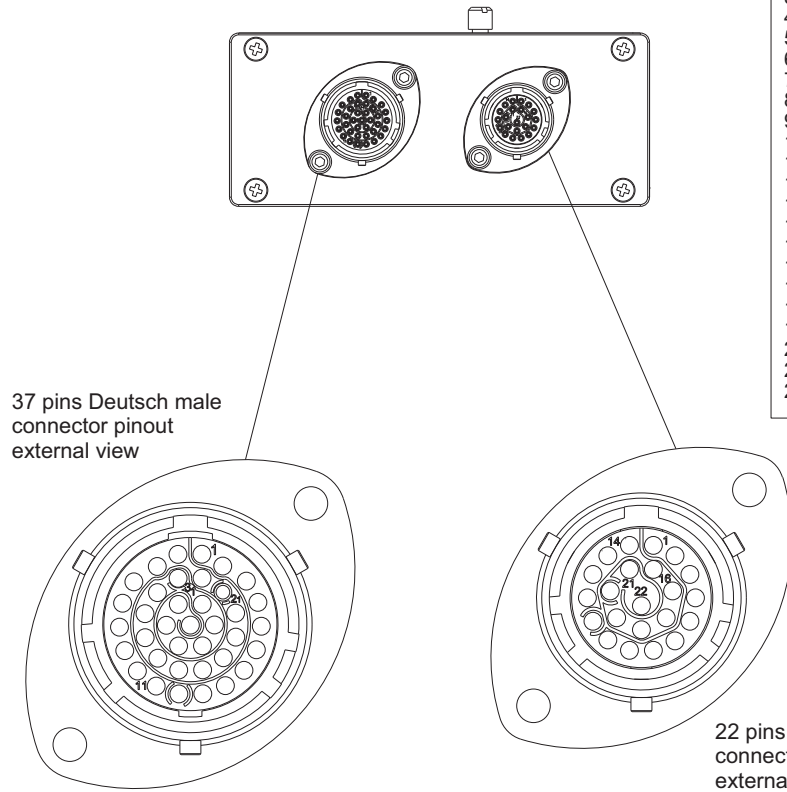
V02586030	22 pin harness
5CN822F00	22 pins connector
5CN837F00	37 pins connector

Spare parts

V02586020	37 pin harness
X62KSTEVO5	Bracket

Pinout

Pin	Function
1	9-15V Power input
2	Battery GND
3	CAN+ exp
4	GND
5	+Vbatt CAN
6	CAN- exp
7	+Vbext
8	CAN1+ ECU
9	CAN1- ECU
10	GND
11	K Line ECU
12	USB D+
13	USB D-
14	GND
15	Rpm
16	GND
17	+Vbatt
18	Optical lap
19	Speed 1
20	GND
21	+Vbattery
22	Analog Input 1
23	Analog GND
24	+Vbattery
25	+Vreference
26	Analog Input 2
27	Analog GND
28	+Vbattery
29	+Vreference
30	Analog Input 3
31	Analog GND
32	+Vbattery
33	+Vreference
34	Analog Input 4
35	Analog GND
36	+Vbattery
37	+Vreference



Pin	Function
1	Analog Input 5
2	Analog GND
3	+Vbattery
4	+Vreference
5	Analog Input 6
6	Analog Input 7
7	Analog GND
8	+Vbattery
9	+Vreference
10	Analog Input 8
11	Speed 2
12	GND
13	+Vbattery
14	Speed 3
15	Speed 4
16	GND
17	CAN2+ ECU
18	CAN2- ECU
19	Digital output 1
20	Digital output 2
21	RS232 TX
22	RS232 RX